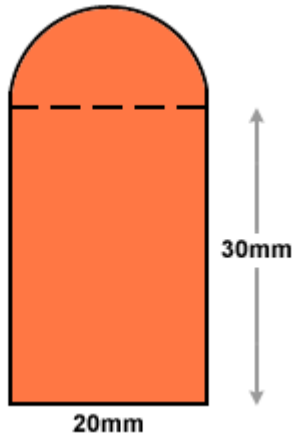
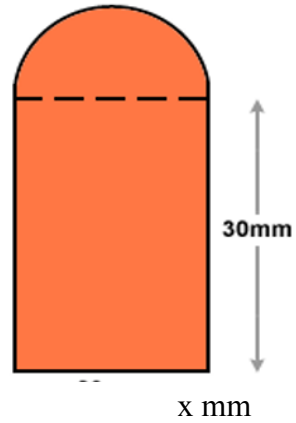


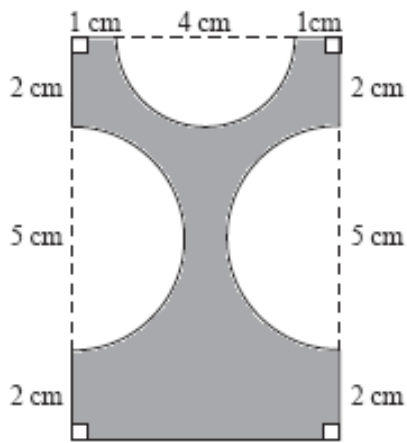
1. Find the area of the figure.



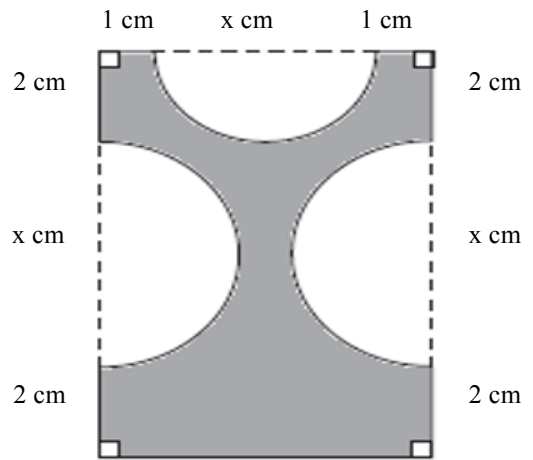
2. Find the area of the figure.



3. Find the area of the shaded region.

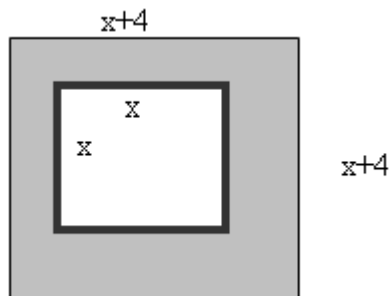


4. Find the area of the shaded region.

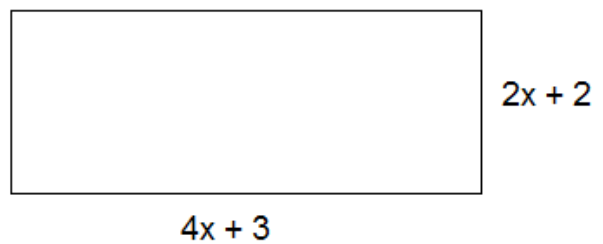


5-8. Write the area of each figure or shaded region in terms of the variables.

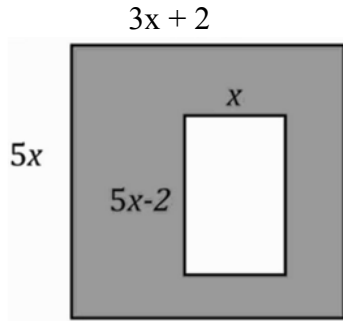
5.



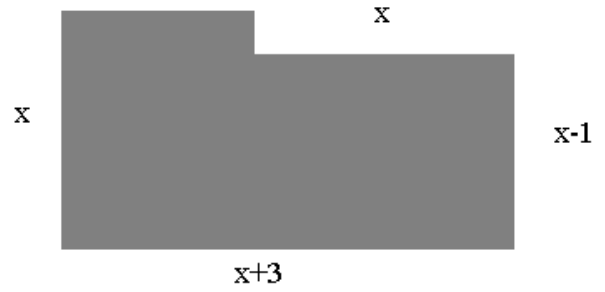
6.



7.

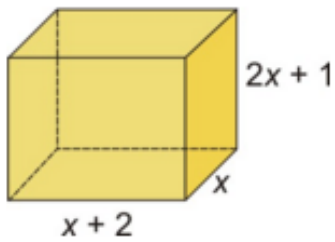


8.

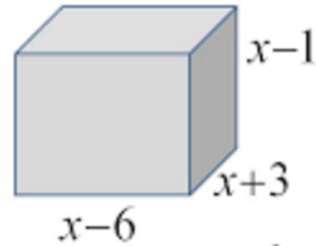


9-12. Write an expression for the volume of each figure in terms of the variable.

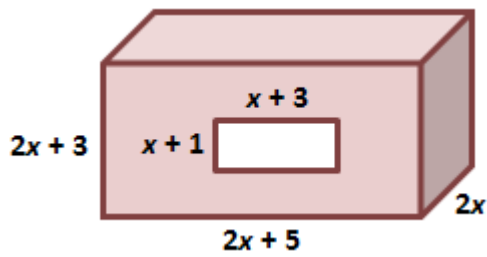
9.



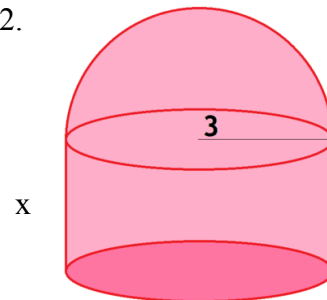
10.



11.



12.



13.

Volume = 1050 cm^3

$x+5$

x

$x-3$

$x = ?$